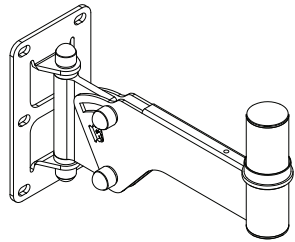


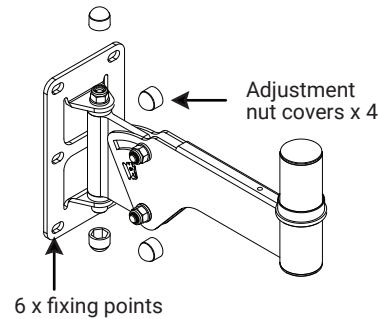
# PTLWB Fitting Instructions

1



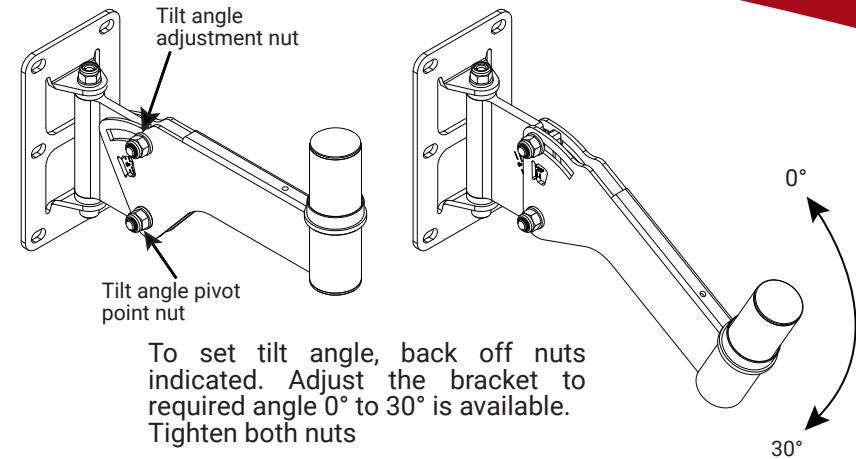
Bracket comes pre-assembled.

2



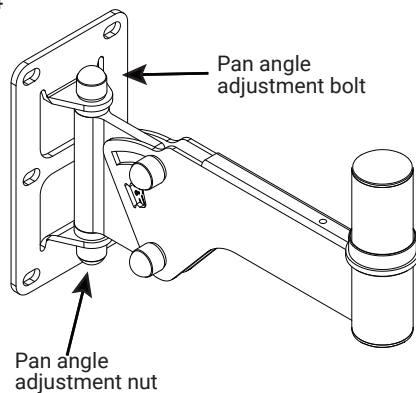
Secure the bracket to the wall using 6 x M8 mounting holes. Make sure your choice of hardware is appropriate for the intended load and the wall material. Fixing hardware is not supplied with this kit. Remove adjustment nut covers.

3

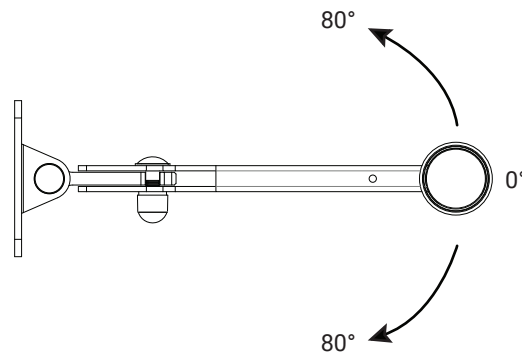


To set tilt angle, back off nuts indicated. Adjust the bracket to required angle 0° to 30° is available. Tighten both nuts

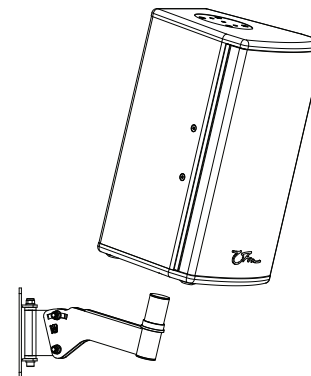
4



To set pan angle, back off the nut and bolt indicated. Adjust the bracket to the required angle ( $\pm 0^\circ$  to  $160^\circ$ ) (Maximum pan angle is dependant on cabinet). Tighten nut and bolt.

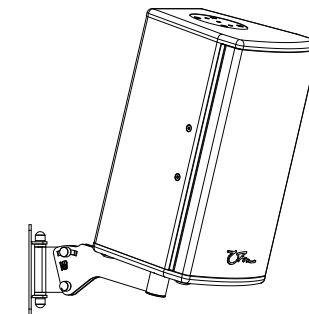


5



When all mounting and adjusting hardware has been fully tightened, present the cabinet to the bracket. Ease the cabinet onto the mounting pole.

6



If further pan and tilt adjustment is necessary remove the cabinet from the bracket before loosening any adjustment nuts. NEVER adjust with the cabinet on the bracket. When adjustment is complete, return cabinet to bracket and re-fit the adjustment nut covers.